

**PLAN VIEW**

**01**

**GROUND FLOOR PLAN**

SCALE: 1/8" = 1'-0"  
 ARCH REF: PLAN/03  
 ELEVATIONS/S3  
 QUANTITY: TYPE A - 0#  
 TYPE B - 04  
 TYPE C - 02  
 TYPE D - 01  
 TYPE E - 02  
 DOORS: #101, #102, #103

KAWNEER, IR 501 IMPACT RESISTANT ALUMINUM STOREFRONT  
 KAWNEER, 350 IR IMPACT ALUMINUM STOREFRONT DOORS ON IR 501  
 ALUMINUM STOREFRONT FRAMING  
 SLIDING WINDOW INFORMATION ON SEPARATE SUBMITAL

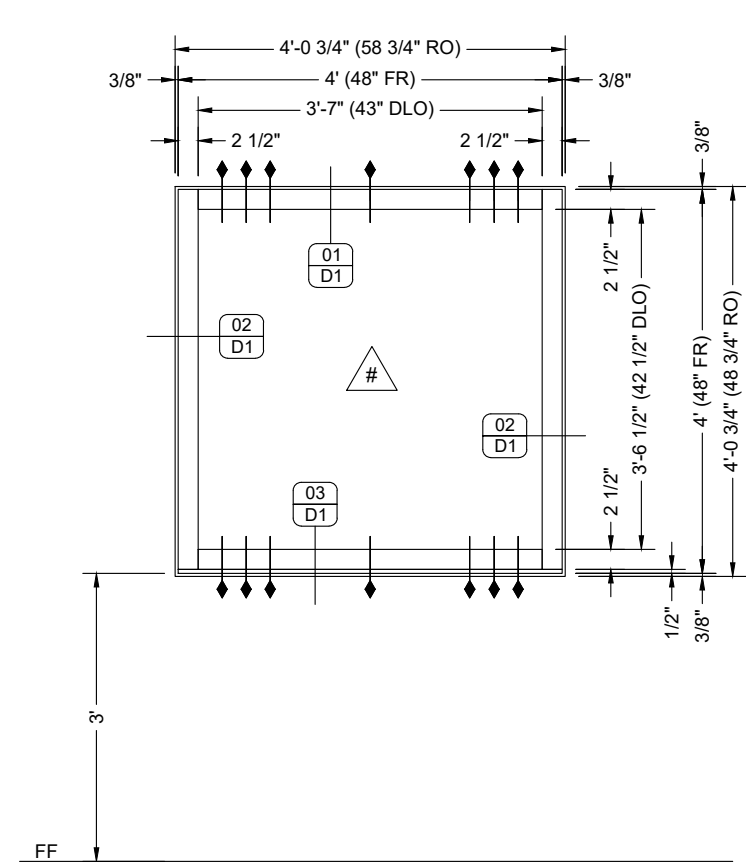


NO.	DATE	BY	DESCRIPTION
1	08/22/21	fp	First Submittal

**CONTRACTOR'S GLASS PRODUCTS**  
 7701 WEBER RD., CORPUS CHRISTI, TX 78315  
 WORK (361) 854-8188 FAX (361) 854-4412

PROJECT: VICK'S FAMOUS HAMBURGERS  
**NEW BUILDING**  
 ARCHITECT: R.W. STONE, ENGINEER  
 (361) 232-4020  
 PROJECT: SYNERGY CONSTRUCTION  
 (361) 324-1098

PROJECT NO.	CGP-2108-01
DRAWN BY	fp
DATE	08/22/21
SCALE	NTS
DRAWING	FLOOR PLANS
SHEET	P1



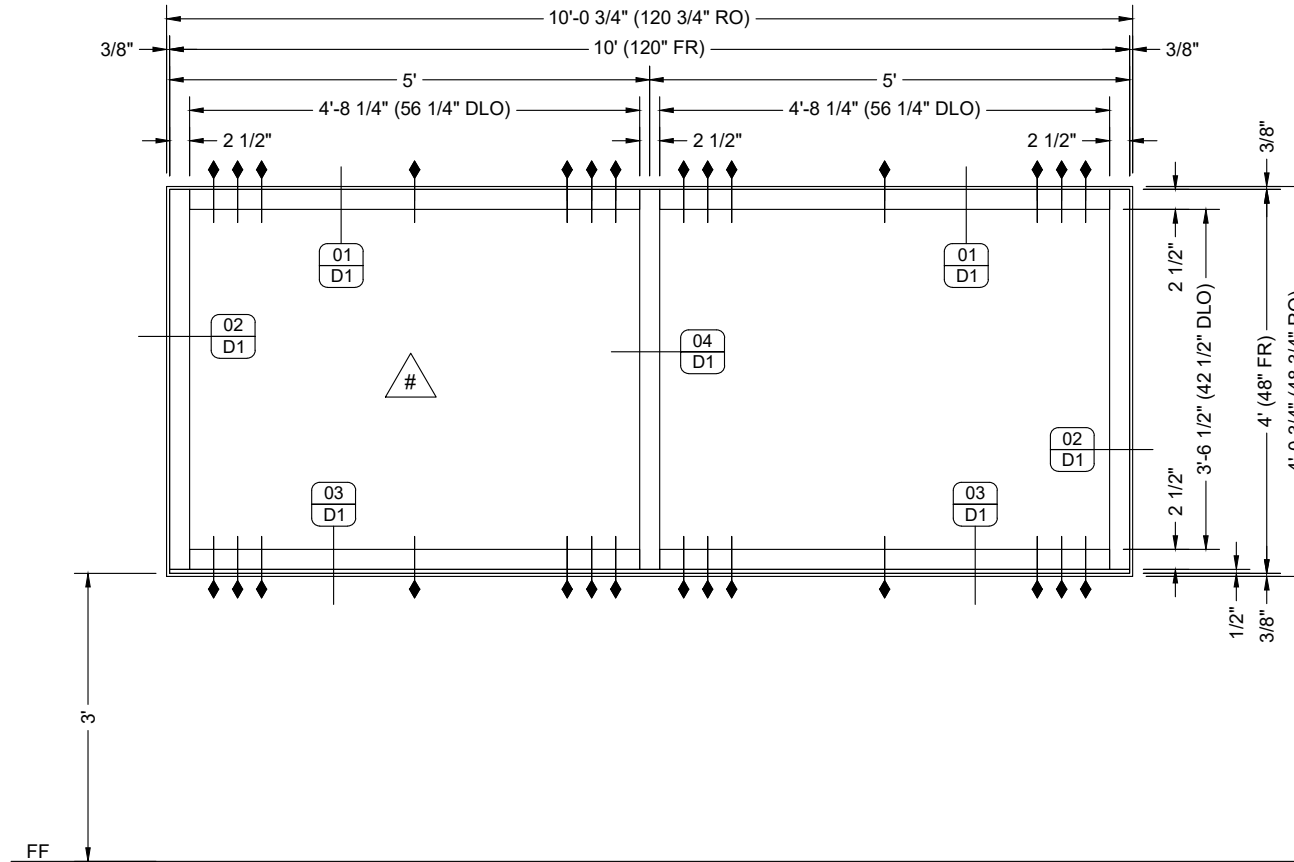
**ELEVATION**

QUANTITY: 01  
 SCALE: 1/2" = 1'-0"  
 ARCH REF: PLAN/O3  
 SOUTH ELEVATION/S3



**ALUMINUM STOREFRONT**

KAWNEER 501 IR IMPACT ALUMINUM STOREFRONT



**ELEVATION**

QUANTITY: 04  
 SCALE: 1/2" = 1'-0"  
 ARCH REF: PLAN/O3  
 SOUTH ELEVATION/S3  
 WEST ELEVATION/S3  
 NORTH ELEVATION/S3



**ALUMINUM STOREFRONT**

KAWNEER 501 IR IMPACT ALUMINUM STOREFRONT

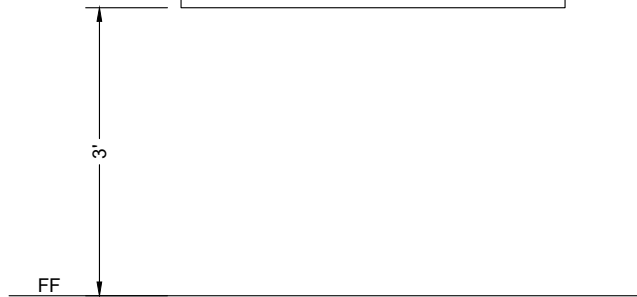
NO.	DATE	DESCRIPTION
1	08/22/21	First Submittal

**CONTRACTOR'S GLASS PRODUCTS**  
 7701 WEBER RD, CORPUS CHRISTI, TX 78315  
 WORK (361) 854-8188 FAX (361) 854-4412

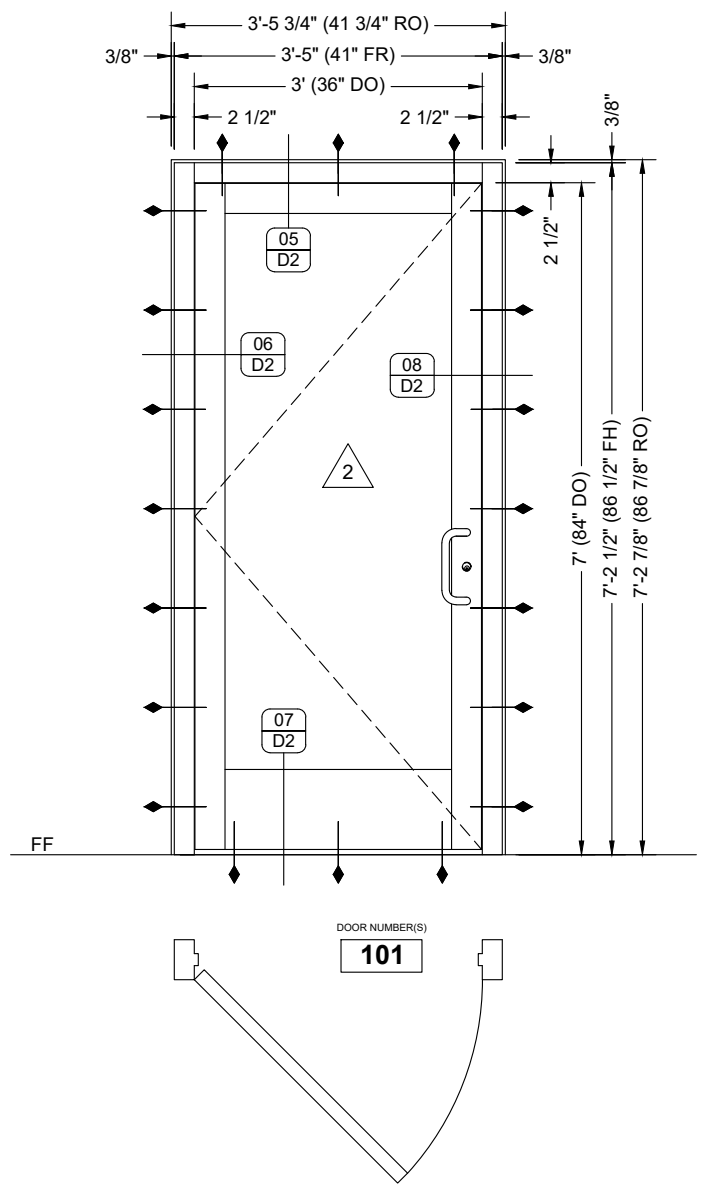
PROJECT: VICK'S FAMOUS HAMBURGERS  
**NEW BUILDING**  
 ARCHITECT: R.W. STONE, ENGINEER  
 (361) 232-4020  
 PROJECT: SYNERGY CONSTRUCTION  
 (361) 324-1098

PROJECT NO.	CGP-2108-01
DRAWN BY	fp
DATE	08/22/21
SCALE	1/2" = 1'-0"
DRAWING	ELEVATIONS
SHEET	E1

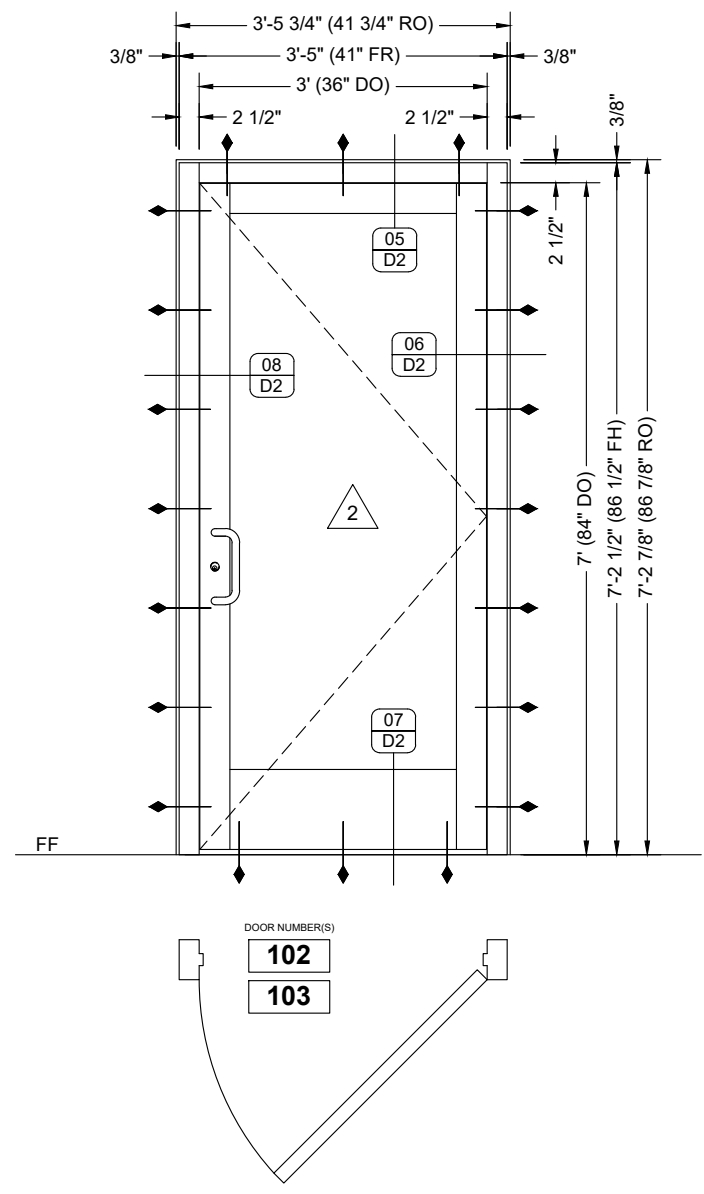
SLIDING WINDOW  
 [ELEVATION, DETAILS,  
 AND ALL OTHER  
 REFERENCE  
 INFORMATION FOR THE  
 DRIVE-THROUGH  
 SLIDING WINDOW ON  
 SEPARATE SUBMITTAL]



**ELEVATION** **C** **SLIDING WINDOW**  
 QUANTITY: 02  
 SCALE: 1/2" = 1'-0"  
 ARCH REF: N/A  
 [ON SEPARATE SUBMITAL]



**ELEVATION** **D** **RH ENTRANCE DOOR**  
 QUANTITY: 01  
 SCALE: 1/2" = 1'-0"  
 ARCH REF: PLAN/03  
 SOUTH ELEVATION/S3  
 DOOR NUM(S): #101  
 KAWNEER 350 IR IMPACT DOOR ON IR 501  
 ALUMINUM FRAMING



**ELEVATION** **E** **LH ENTRANCE DOOR**  
 QUANTITY: 02  
 SCALE: 1/2" = 1'-0"  
 ARCH REF: PLAN/03  
 WEST ELEVATION/S3  
 SOUTH ELEVATION/S3  
 DOOR NUM(S): #102, #103  
 KAWNEER 350 IR IMPACT DOOR ON IR 501  
 ALUMINUM FRAMING

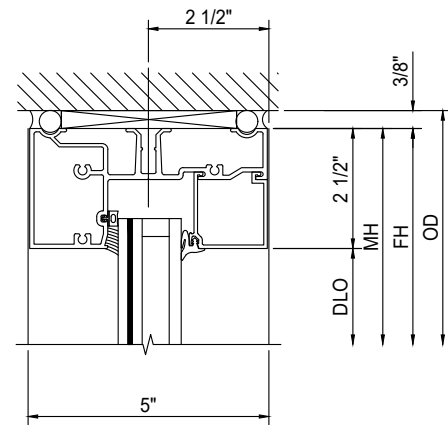
**HARDWARE**  
 [ON SEPARATE SUBMITTAL]

DESCRIPTION	
1	fp
1	08/22/21
	DATE
	BY
	First Submittal

**CONTRACTOR'S GLASS PRODUCTS**  
 7701 WEBER RD, CORPUS CHRISTI, TX 78315  
 WORK (361) 854-8188 FAX (361) 854-4412

PROJECT: VICK'S FAMOUS HAMBURGERS  
**NEW BUILDING**  
 ARCHITECT: R.W. STONE, ENGINEER  
 (361) 232-4020  
 PROJECT: SYNERGY CONSTRUCTION  
 (888) 334-1098

PROJECT NO.	
CGP-2108-01	
DRAWN BY	DATE
fp	08/22/21
SCALE	
1/2" = 1'-0"	
DRAWING	
ELEVATIONS	
SHEET	
E1	



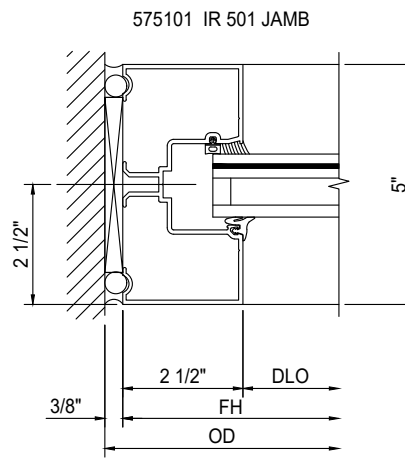
575103 IR 501 STANDARD SILL/HEAD  
 575104 IR 501 GLASS STOP

DETAIL

**01 HEAD**

SCALE: 3" = 1'-0"  
 ARCH REF: N/A

KAWNEER IR 501 ALUMINUM STOREFRONT FRAMING



575101 IR 501 JAMB

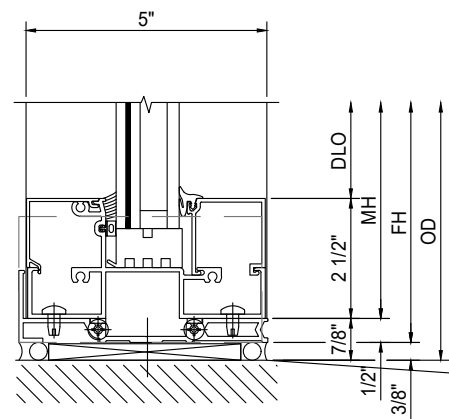
DETAIL

**02 JAMB**

SCALE: 3" = 1'-0"  
 ARCH REF: N/A

KAWNEER IR 501 ALUMINUM STOREFRONT FRAMING

- 575158 IR 501 OPTIONAL SILL
- 575157 FLASHING
- 575208 END DAM
- 575159 IR 501 OPTIONAL SILL COVER
- 575104 IR 501 GLASS STOP



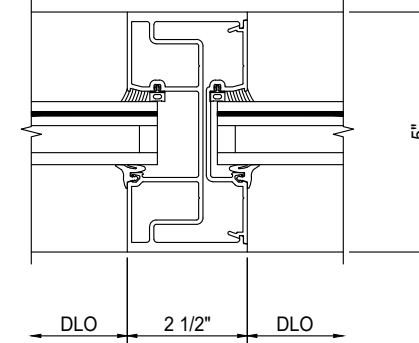
DETAIL

**03 SILL**

SCALE: 3" = 1'-0"  
 ARCH REF: N/A

KAWNEER IR 501 ALUMINUM STOREFRONT FRAMING

- 575116 IR 501 HW VERTICAL MULLION
- 575102 IR 501 POCKET FILLER



DETAIL

**04 VERTICAL**

SCALE: 3" = 1'-0"  
 ARCH REF: N/A

KAWNEER IR 501 ALUMINUM STOREFRONT FRAMING

**CONTRACTOR'S GLASS PRODUCTS**  
 7701 WEBER RD, CORPUS CHRISTI, TX 78315  
 WORK (361) 854-8188 FAX (361) 854-4412

PROJECT: VICK'S FAMOUS HAMBURGERS  
**NEW BUILDING**  
 ARCHITECT: R.W. STONE, ENGINEER  
 (361) 232-4020  
 PROJECT: SYNERGY CONSTRUCTION  
 (361) 324-1098

PROJECT NO. CGP-2108-01

DRAWN BY: fp DATE: 08/22/21

SCALE: 3" = 1'-0"

DRAWING: DETAILS

SHEET: D1

DATE	BY	DESCRIPTION
08/22/21	fp	First Submittal